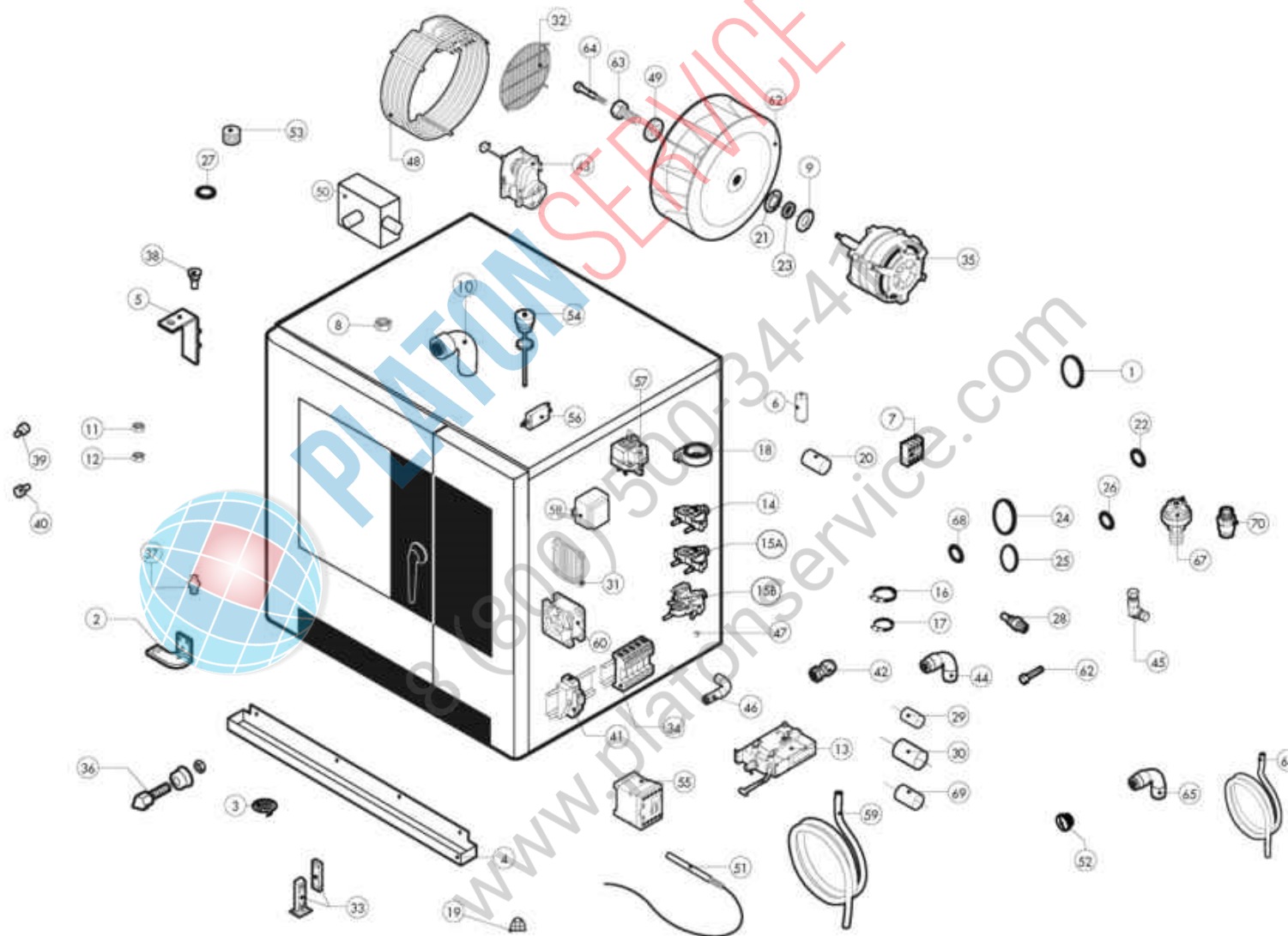


ATTENZIONE: PER TENSIONI SPECIALI, SPECIFICARE SEMPRE IL MODELLO DI FORNO ED IL NUMERO DI MATRICOLA
ATTENTION: FOR SPECIAL VOLTAGES, PLEASE ALWAYS SPECIFY THE OVEN MODEL AND THE SERIAL NUMBER

ATTENTION: POUR TENSIONS SPÉCIALES, MERCI DE SPÉCIFIER TOUJOURS LE MODÈLE DU FOUR ET LE NUMÉRO DE SÉRIE
ACHTUNG: BEI SONDERSPANNUNGEN, BITTE IMMER OFEN-MODELL UND SERIENNUMMER GEBEN

ed. 0614



TAV. A

SAEV071

Pos.	Code	Codice precedente	Description	Notes	From:	To:
0001	LA70010370	LAR70010370	GASKET [C]			
0002	LA11207240	LAR11207240	LOWER HINGE KIT [C] M-V/061-101-102 2005			
0003	LA10201710	LAR10201710	FILTER [C] D.86/44.5 M/210-12			
0004	LAR69180210		DRAIN CONTAINER [C] N/S071-101 2014			
0005	LA14402130	LAR14402130	HINGE [C]			
0006	LA65190180	LAR65190180	CONDENSER [C] 10ÅµF 36X58			
0007	LA65140420	LAR65140420	CONTACT [C] 1L+1R 3RH1911-1FA11			
0008	LA65240040	LAR65240040	LOCK NUT [C] FOR CONNECTION 107 Z/29			
0009	LA58003870	LAR58003870	COUNTER FLANGE [C] SMALL			
0010	LA62280038	LAR62280038	CURVE [C] D.50 D.50X			
0011	LA58004050	LAR58004050	NUT [C] FOR HINGE PIN M/106-220			
0012	LA58000360	LAR58000360	NUT [C] FOR HINGE PIN N/S 2014			
0013	LA62200172	LAR62200172	SHOWER HEAD [C] N071/101/072/102 2014			
0014	LAR65110230		SOLENOID VALVE [C] 220V 50HZ 1P+1D 2 WAYS			3/2/2015
0014	LAR65110340		SOLENOID VALVE [C] 230V 50/60HZ 2 WAYS 1P+1D OUT J.G. D10		3/3/2015	
0016	LAR61630031		ZINC CLAMP [C] 40-60/9			
0017	LA61630011	LAR61630011	ZINC CLAMP [C] 12-22/9			
0018	LAR65280490		FERRITE [C] FT36			
0019	LA69180250	LAR69180250	FILTER [C] BASIN DRAINAGE			
0020	LA65280200	LAR65280200	FILTER [C] Cx=0,47Å F Cy=2X10nF			
0021	LA58003860	LAR58003860	FLANGE [C]			
0022	LA70010030	LAR70010030	GASKET [C] 6,07X1,78			
0023	LA70020040	LAR70020040	GASKET [C]			
0024	LA70030180		GASKET [C] 80X50,3X3			
0025	LA70010150	LAR70010150	GASKET [C] 55X35X3			
0026	LA70010210	LAR70010210	GASKET [C] 18,72X2,62			
0027	LAR70050150		GASKET [C] BOILER CAP			
0028	LA58006160	LAR58006160	NOZZLE [C] D. 0,80			
0029	LAR70060080		COUPLING [C] D. 13X18X80			
0030	LA70060040	LAR70060040	COUPLING [C] D. INT 51 D. EXT 59			

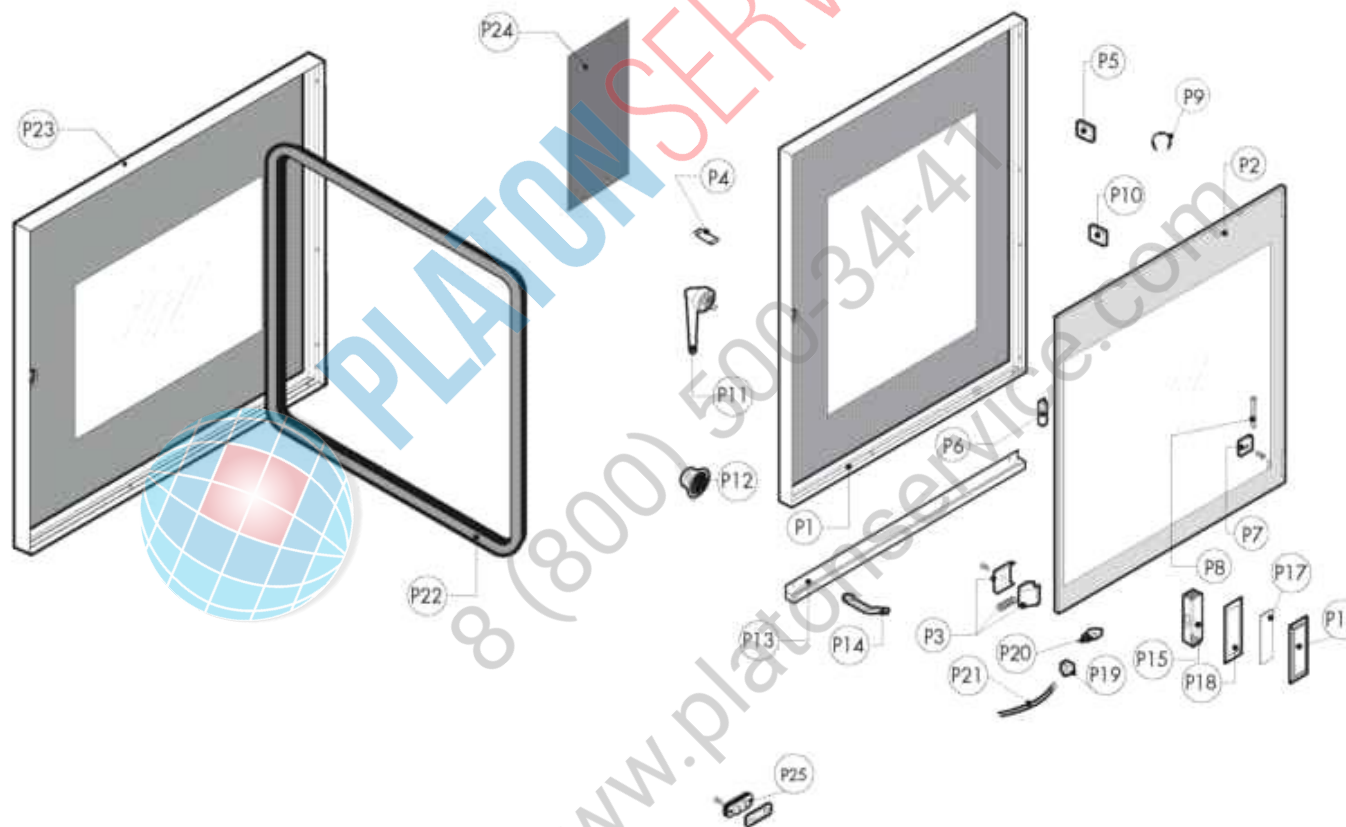
Pos.	Code	Codice precedente	Description	Notes	From:	To:
0031	LAR75300020		PLATE [C] FAN D.120			
0032	LA75300050	LAR75300050	PLATE [C] FAN D.270 N/S101 2014			
0033	LAR65265100		MICROSWITCH [C]			
0035	LAR65040420		MOTOR [C] 220/240V 0,37KW F1 2P	(1 Speed)		
0035	LAR65040430		MOTOR [C] 220/240V 0,37/0,05KW F1 2-4P	(2 Speed)		
0036	LA69010260	LAR69010260	PRONG [C]			
0036	LAR69010270		PRONG [C]			
0037	LA58002670	LAR58002670	PIN [C] HINGE SR.2005			
0038	LA58000370	LAR58000370	PIVOT HINGE			
0039	LA58003140	LAR58003140	PIN [C]			
0040	LAR58003110		PIN [C]			
0041	LA65210020	LAR65210020	FUSE CARRIER [C] 5X20			
0042	LAR65240030		FAIRLEAD [C] PG 107 Z/29			
0043	LAR65095000		MOTOR [C] VENTING			
0044	LA62090478	LAR62090478	CONNECTOR [C] D.10			
0045	LA62090633	LAR62090633	CONNECTOR [C] 10/10			
0046	LA62090528	LAR62090528	CONNECTOR [C] 10X10			
0047	LA65110500	LAR65110500	REGULATOR [C]			
0048	LA65011940	LAR65011940	HEATING ELEMENT [C] 10000W 208V	UL Version 208V (USA-CAN)		
0048	LA65011970		RESISTENZA 10000W277V D8.5 INC.CAM.K_081	UL Version 277V (USA-CAN)		
0048	LAR65011930		HEATING ELEMENT [C] 10000W 230V			
0049	LA58004010	LAR58004010	WASHER [C] D. 30/12,5			
0050	LA69180120	LAR69180120	BOX [C]			
0051	LAR65320220		PROBE [C] K 6X80 1,5ML			
0052	LA65321370	LAR65321370	CAP [C] SA 2014			
0053	LA69150100	LAR69150100	CAP [C]			
0054	LAR58006690		CAP [C] SERIE 2014			
0055	LA65140380	LAR65140380	SWITCH [C]			
0056	LA65160310	LAR65160310	HEAT-GUARD [C] 2,5A			
0057	LA65070350	LAR65070350	THERMOSTAT [C] 360Å°C			
0057	LA65070370	LAR65070370	THERMOSTAT [C] 360Å°C	UL Version (USA-CAN)		

Pos.	Code	Codice precedente	Description	Notes	From:	To:
0058	LA65180420	LAR65180420	TRANSFORMER [C] 20VA			
0058	LA65187110	LAR65187110	TRANSFORMER [C] 40VA	UL Version (USA-CAN)		
0059	LA80150000	LAR80150000	PIPE [C]			
0060	LA65060050	LAR65060050	FAN [R] D. 120			
0062	LA75400570	LAR75400570	FAN [C] D. 240X80 50HZ	50Hz		
0062	LA75400590	LAR75400590	FAN [C] D.240X80 60HZ	60Hz		
0063	LA58004000	LAR58004000	SCREW [C] M12X1.5			
0064	LA61020562	LAR61020562	SCREW [C] M6X55 UNI 5737			
0065	LA62090918	LAR62090918	CONNECTOR [C] D.10		7/7/2014	
0066	LA80150060	LAR80150060	PIPE [C]		7/7/2014	
0067	LAR63070050		PRESSURE SWITCH [C] 1/8 0,5-0,35 BAR			
0068	LAR70010050		GASKET [C] 7,60X2,62			
0069	LA62030113	LAR62030113	COUPLING [C] FF 1/8-1/4 BRASS			
0070	LAR62090508		CONNECTOR [C]			
015A	LAR65110230		SOLENOID VALVE [C] 220V 50HZ 1P+1D 2 WAYS			3/2/2015
015A	LAR65110340		SOLENOID VALVE [C] 230V 50/60HZ 2 WAYS 1P+1D OUT J.G. D10		3/3/2015	
015B	LAR65110240		SOLENOID VALVE [C] 220V 50HZ 2P+1D 3 WAYS			3/2/2015
015B	LAR65110360		DOUBLE SOLENOID VALVE 3 WAY D.10		3/3/2015	

ATTENZIONE: PER TENSIONI SPECIALI, SPECIFICARE SEMPRE IL MODELLO DI FORNO ED IL NUMERO DI MATRICOLA
ATTENTION: FOR SPECIAL VOLTAGES, PLEASE ALWAYS SPECIFY THE OVEN MODEL AND THE SERIAL NUMBER

ATTENTION: POUR TENSIONS SPÉCIALES, MERCI DE SPÉCIFIER TOUJOURS LE MODÈLE DU FOUR ET LE NUMÉRO DE SÉRIE
ACHTUNG: BEI SONDERSPANNUNGEN, BITTE IMMER OFEN-MODELL UND SERIENNUMMER GEBEN

ed. 0614



TAV. B

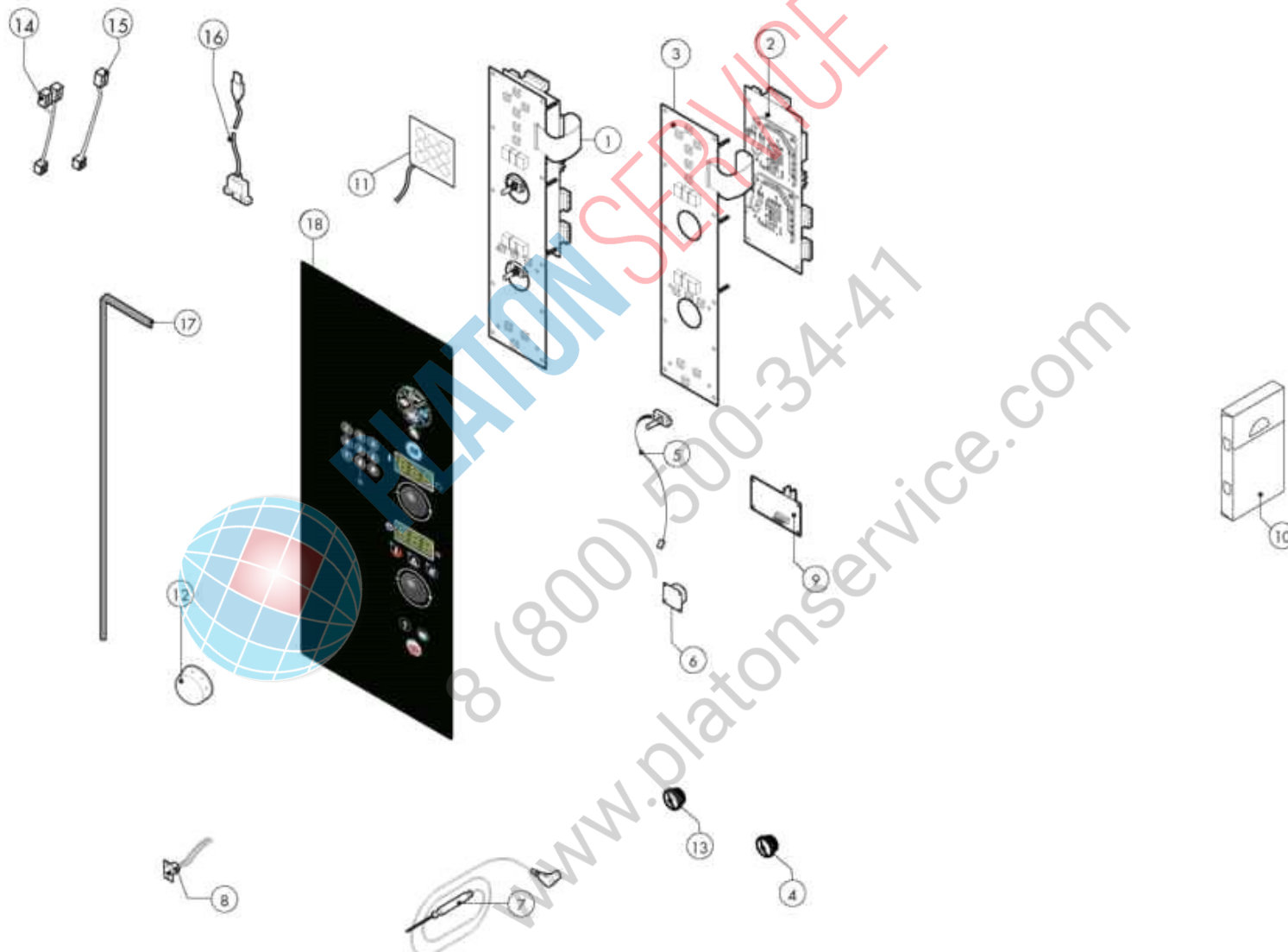
SAEV071

Pos.	Code	Codice precedente	Description	Notes	From:	To:
OOP1	LAR14200760A		DOOR [C] SA_071			
OOP2	LAR71202210		GLASS PLATE [C] N/S071 2014 494x590x6			
OOP3	LAR58001780		CATCH [C] DOOR P2000			
OOP4	LA61620132	LAR61620132	SPRING [C]			
OOP5	LAR11420660		FLANGE [C]			
OOP6	LA11423460	LAR11423460	PROTECTION [C] DOOR GLASS K E T 2011			
OOP7	LA58001760	LAR58001760	HINGE [C] GLASS SR2000			
OOP8	LA58001770	LAR58001770	PIN [C]			
OOP9	LA61600031	LAR61600031	GASKET [C] D.3,2 UNI 7434			
OP10	LAR70050180		SPACER [C] GLASS 15x8 M4x12 A2			
OP11	LA69010190	LAR69010190	LOCK [C] 6303 N/S2014			
OP12	LAR69010630		COVERING [C] GROUP 6303			
OP13	LAR69180220		DOOR CONTAINER [C] N/S071-101 2014			
OP14	LA69180010	LAR69180010	DRAIN [C]			
OP15	LA11401440	LAR11401440	LAMP COVER [C]			
OP16	LA11401450	LAR11401450	FLANGE [C]			
OP17	LA71500150	LAR71500150	GLASS PLATE [C] P2000			
OP18	LA70044200	LAR70044200	GASKET [C]			
OP19	LA65270450	LAR65270450	LAMP HOLDER [C]			
OP20	LA65270020	LAR65270020	BULB [C] 12V 20W G4			
OP21	LA66110310	LAR66110310	DOOR LIGHTS CABLE SET [C] M-V/061			
OP22	LA70048002	LAR70048000	GASKET [C] DOOR T07 2016			
OP23	LAR14163480		DOOR [C] SA_071			
OP24	LAR67016810		RIVESTIMENTO PORTA C/MAN. S071-072 2014 1PZZ			
OP25	LAR65260752		CONTACT [C] LIGHTS SR.2014			

ATTENZIONE: PER TENSIONI SPECIALI, SPECIFICARE SEMPRE IL MODELLO DI FORNO ED IL NUMERO DI MATRICOLA
ATTENTION: FOR SPECIAL VOLTAGES, PLEASE ALWAYS SPECIFY THE OVEN MODEL AND THE SERIAL NUMBER

ATTENTION: POUR TENSIONS SPÉCIALES, MERCI DE SPÉCIFIER TOUJOURS LE MODÈLE DU FOUR ET LE NUMÉRO DE SÉRIE
ACHTUNG: BEI SONDRERSPANNUNGEN, BITTE IMMER OFEN-MODELL UND SERIENNUMMER GEBEN

ed. 0614



TAV. C

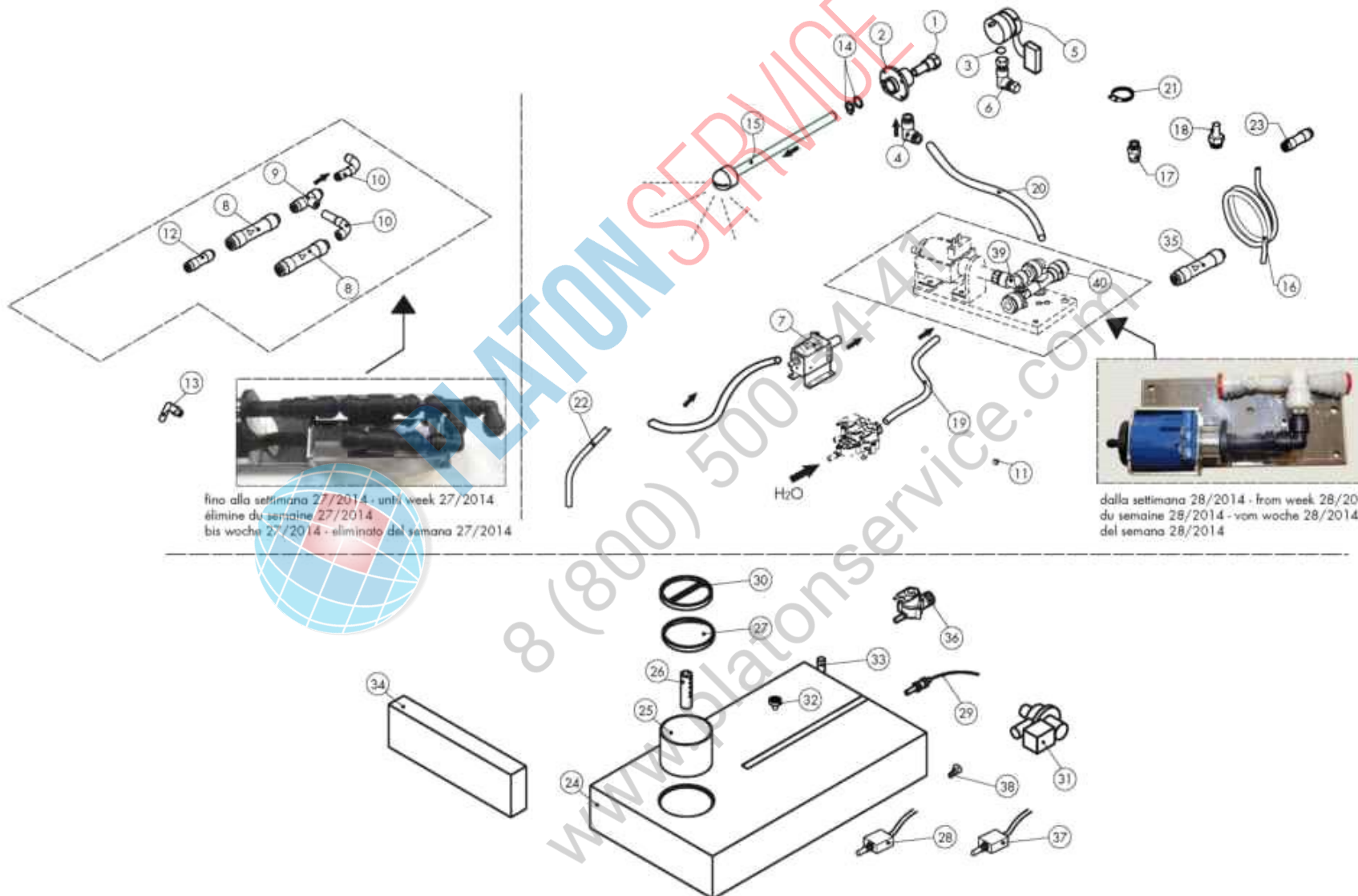
SAEV071

Pos.	Code	Codice precedente	Description	Notes	From:	To:
0001	LAR65302100		BOARD [C] S 2009			
0002	LA65302250	LAR65302250	BOARD [C] S 2009			
0003	LA65302240	LAR65302240	KEYBOARD [C] S 2009			
0004	LA65321330	LAR65321330	CAP [C] N/S 2014			
0005	LA65301941	LAR65301940	ENCODER [C] S COMPACT 2009 SANDWICH			
0006	LA65302450	LAR65301960	BOARD [C] BUZZER S			
0007	LA65321102	LAR65321100	PROBE [C] K 4P 6 PIN IMP.2012			
0008	LA65321360	LAR65321360	CONNECTOR [C] L1000 FEMALE TO CORE PROBE 6 PINS			
0009	LA65302550	LAR65302550	EXPANSION BOAD [C] DRAWER S-X			
0010	LAR86020400		VALIGETTA X SONDA AL CUORE TRASPARENTE			
0011	LAR65302470		BOARD [C]			
0012	LA69030260	LAR69030260	KNOB [C] ENCODE D.42			
0013	LAR65321310		CAP [C]			
0014	LA65301730	LAR65301730	CABLE [C] L=420+420 SERIAL			
0015	LA65301720	LAR65301720	CABLE [C] L420 DOUBLE SERIAL			
0016	LA65302600	LAR65302600	CABLE [C] CARD SWITCH CONNECTION USB 90Å° L=850			
0017	LAR80100100		PROFILE [C]			
0018	LA67015730	LAR67015730	KEYBOARD [C] S071 LAINOX 2014			

ATTENZIONE: PER TENSIONI SPECIALI, SPECIFICARE SEMPRE IL MODELLO DI FORNO ED IL NUMERO DI MATRICOLA
ATTENTION: FOR SPECIAL VOLTAGES, PLEASE ALWAYS SPECIFY THE OVEN MODEL AND THE SERIAL NUMBER

ATTENTION: POUR TENSIONS SPÉCIALES, MERCI DE SPÉCIFIER TOUJOURS LE MODÈLE DU FOUR ET LE NUMÉRO DE SÉRIE
ACHTUNG: BEI SONDRSPANNUNGEN, BITTE IMMER OFEN-MODELL UND SERIENNUMMER GEBEN

ed. 0614



TAV. D

SAEV071

Pos.	Code	Codice precedente	Description	Notes	From:	To:
0001	LAR58007000		PIN [C]			
0002	LAR58007020		FLANGE [C]			
0003	LA70010080	LAR70010080	GASKET [C] OR 14x2 VITON DIN 981			
0004	LA62090663	LAR62090663	CONNECTOR [C] 10X1/4			
0005	LA65090260	LAR65090260	GEARMOTOR [C]			
0006	LA62090633	LAR62090633	CONNECTOR [C] 10/10			
0007	LAR65110600		PUMP [C]			
0008	LA65110680	LAR65110680	VALVE [W] J.G. 10SCV			7/4/2014
0009	LA62090468	LAR62090468	CONNECTOR [C] T D. 10			7/4/2014
0010	LA62090528	LAR62090528	CONNECTOR [C] 10X10			7/4/2014
0011	LA65110530	LAR65110530	REGULATOR [C] 2LT/1'			
0012	LA62090618	LAR62090618	REDUCTION [C] Å 10-Å 8			7/4/2014
0013	LA62090678	LAR62090678	ELBOW [C] Å 8-Å 8			7/4/2014
0014	LAR70045120		GASKET [C]			
0015	LAR58007420	LAR58007040	WASHING HEAD [C] L=115(071/T07)			
0016	LA80150040	LAR70070080	PIPE [C]			
0017	LAR62090508		CONNECTOR [C]			
0018	LA62090518	LAR62090518	CONNECTOR [C] 10X1/4			
0019	LA80120060	LAR80120060	PIPE [C]			
0020	LA80150000	LAR80150000	PIPE [C]			
0021	LA61630121	LAR61630121	ZINC CLAMP [C] WITH SPRING D.13,7MM			
0022	LA80150020	LAR80150020	PIPE [C]			
0023	LA62090878	LAR62090878	CONNECTOR [C] D.8			
0024	LAR14162580		COMPLETE DETERGET DRAWER [C]	50Hz		
0024	LAR14166020		COMPLETE DETERGET DRAWER [C]	60Hz		
0025	LA69040060	LAR69040060	FILTER [C] MIXING TRAY N/S 2014			
0026	LA69040050	LAR69040050	VAPORISER [C]			
0027	LA69040020	LAR69040020	RING NUT [C] D. 90			
0027	LA69040021		GHIERA D.90 CASS.MISCEL.DET. N/S 2016		2/7/2017	
0028	LAR65260900		MICROINT.CASSETTO MISCELAZIONE N/S 2014	Sostituito da Pos.39 Codice LAR65260900K		
0029	LA65260910	LAR65260910	CONTROL [C] LEVEL MIXING TRAY N/S 2014			

Pos.	Code	Codice precedente	Description	Notes	From:	To:
0030	LA69040040	LAR69040040	CAP [C] N/S 2014 D. 90			
0031	LA65110300	LAR65110300	PUMP [C] 220V 50HZ	50Hz		
0031	LA65110310	LAR65110310	PUMP [C] 220V 60HZ	60Hz		
0032	LAR62090718		FILTER [C] D.5			
0033	LAR58006960		PIN [C] DRAWERS DIVISION N/S 071-101 2014 D9			
0034	LA69040070	LAR69040070	FALSE DRAWER [C] FRAME N/S 2014			
0035	LA65110690	LAR65110690	CONNECTOR [C] 3/4F+JG10			
0036	LA65110200	LAR65110200	SOLENOID VALVE [C] 220V 50HZ 1 WAY			
0037	LAR65260900K		MICROSWITCH [C]			
0038	LAR58006951		PIN [C] L. 21			2/6/2017
0039	LA62090498	LAR62090498	CONNECTOR [C] D.8		7/7/2014	
0040	LA62090888	LAR62090888	MANIFOLD [C] 3WAYS-2D.10+1D.8+3 NO RETURN CONTROL		7/7/2014	



PLATONSERVICE
8 (800) 500-34-41
www.platonservice.com